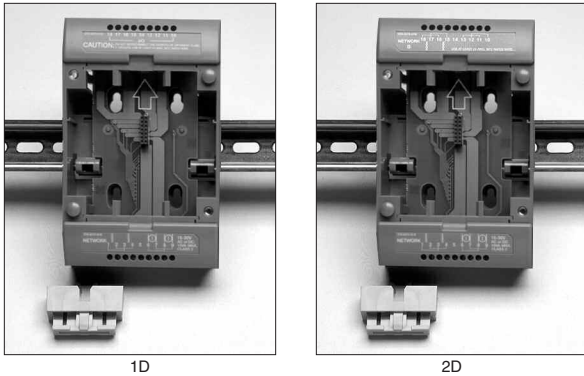


## Type 1D DIN and Type 2D DIN Base Plates Models 48111, 48222, 48111R, and 48222R



- ▼ DIN Rail Base Plates for use with the LonPoint Interface, Scheduler, Data Logger, and Router modules
- ▼ Allows pre-wiring and cable testing by an electrician prior to installing the electronics
- ▼ Numbered wire clamp-style screw terminals accept 12-24 AW (2 to 0.5mm) wire
- ▼ Power and network wiring are looped through each Base Plate, providing continuity during hot-plugging
- ▼ U.L. Listed, cU.L. Listed, CE Mark
- ▼ Jumper Plug speeds connection of adjacent Base Plates

### LonPoint® Modules

The LonPoint Modules are products designed to integrate new and legacy sensors and actuators, as well as LONMARK® devices, into cost-effective, interoperable, control systems for building and industrial applications. In contrast to traditional control networks, which use closed islands of control linked with proprietary gateways, the LonPoint Modules offer an open distributed system architecture in which every device performs some control processing and can be accessed from any location in the network. Distributing the processing throughout the network and providing open access to every device lowers the overall installation and life cycle costs, increases reliability by minimizing single points of failure, and provides the flexibility to adapt the system to a wide variety of applications.

The system consists of the LonPoint Interface, Scheduler, Data Logger, and Router Modules, LonPoint Application Programs, LNS™-based LonMaker™ Integration Tool, LonPoint Plug-In and LNS DDE Server. The LPR Router Modules may be used with a LonPoint System or as part of any LONWORKS® network.

### Base Plates

The Type 1D DIN and Type 2D DIN Base Plates provide an interface between a LonPoint Module and the network, power, and I/O wiring. The DIN Rail Base Plates are designed to be installed on either 35mm x 7.5mm or 35mm x 15mm DIN rails, or, using the integral keyhole slots, on a wall or panel.

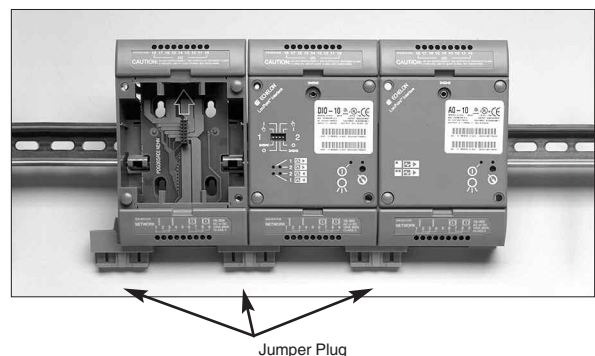
The DIN Base Plates are shipped with a Jumper Plug that interconnects the power and network connections of adjacent DIN Base Plates without the need for any wiring. This labor saving feature can result in significant installation savings and makes for a neater overall installation.

Two sets of screw terminals are provided for both the network and power wiring connections. These connections are internally jumpered on the DIN Base Plates, providing continuity of power and network communications even if one LonPoint Module is removed. This feature permits the base plate wiring to be pre-installed, and the network and power circuits checked for continuity, even before a single LonPoint Module is installed. This feature also prevents network and power interruptions as a result of hot swapping LonPoint Modules during commissioning or service operations.

The two sets of screw terminals permits incoming and outgoing wiring to be landed at separate screw terminals, without the need to install more than one wire in any given screw terminal.

There are two types of DIN Rail Base Plates. The Type 1D DIN Base Plates (Models 48111, 48111R) are used with LonPoint Interface, Scheduler, and Data Logger Modules, while the Type 2D DIN Base Plates (Models 48222, 48222B) are used with LonPoint Router Modules.

Models 48111R and 48222R are compliant with the European Directive 2002/95/EC on the restriction of the use of certain hazardous substances (RoHS) in electrical and electronic equipment.



---

## Specifications

Function	Description
Regulatory compliance	U.L. 916, cU.L. per CSA C22.2 No. 205, CE Mark
Temperature	-40 to +85°C, operating and non-operating
Humidity	10 to 95% RH @50°C
Maximum loop-through current	16A rms
Packaging	ABS
Dimensions	6.299" x 3.937" x 1.637" (16cm x 10cm x 4.16cm)

---

Copyright © 1999-2007, Echelon Corporation. Echelon, LON, LonWorks, LonMARK, LonBuilder, NodeBuilder, LonManager, LonTalk, LonUsers, LonPoint, Digital Home, Neuron, 3120, 3150, LNS, /LON, LonWorld, ShortStack, Panoramix, Panoramix Powered by Echelon, LonMaker, the Echelon logo, and the LonUsers logo are trademarks of Echelon Corporation registered in the United States and other countries. Pyxos, LonLink, LonResponse, LonSupport, LONews, Open Systems Alliance, OpenLDV, LonBridge, Powered by Echelon, LNS Powered by Echelon, LonWorks Powered by Echelon, Networked Energy Services Powered by Echelon, NES Powered by Echelon, and Thinking Inside the Box are trademarks of Echelon Corporation. Other trademarks belong to their respective holders.

### Disclaimer

Neuron Chips, Free Topology Twisted Pair Transceiver Modules, and other OEM Products were not designed for use in equipment or systems which involve danger to human health or safety or a risk of property damage and Echelon assumes no responsibility or liability for use of the Neuron Chips or Free Topology Twisted Pair Transceiver Modules in such applications. ECHELON MAKES AND YOU RECEIVE NO WARRANTIES OR CONDITIONS, EXPRESS, IMPLIED, STATUTORY OR IN ANY COMMUNICATION WITH YOU, AND ECHELON SPECIFICALLY DISCLAIMS ANY IMPLIED WARRANTY OF MERCHANTABILITY OR FITNESS FOR A PARTICULAR PURPOSE.

003-0305-01E