

4

3

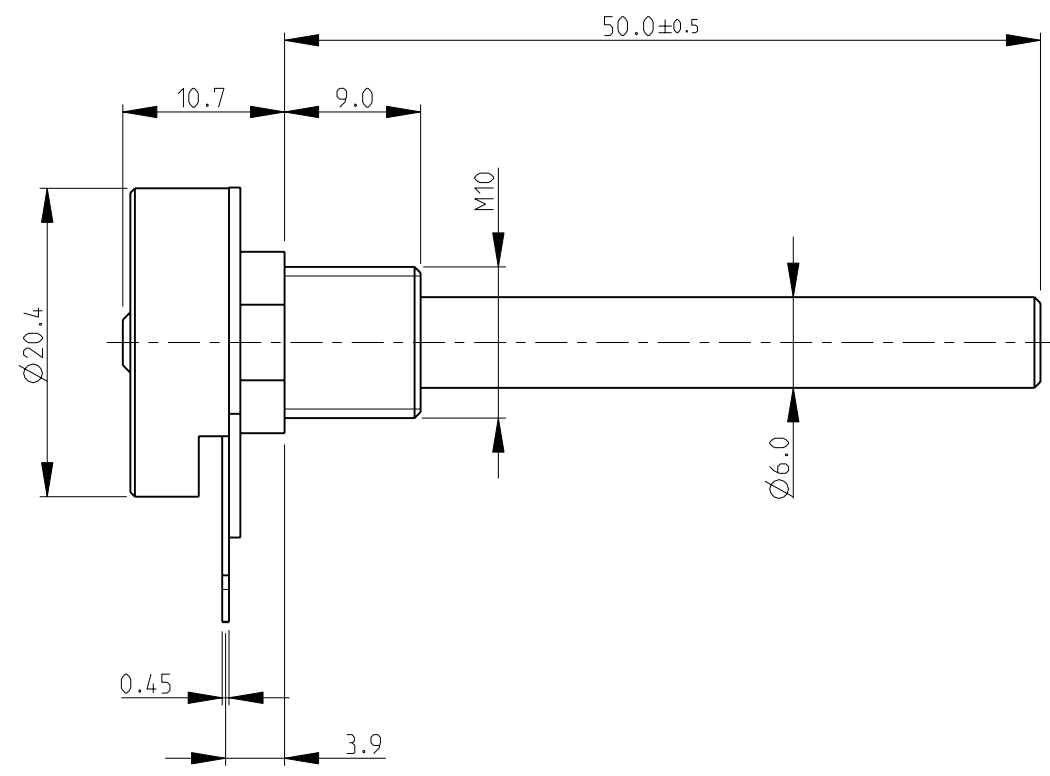
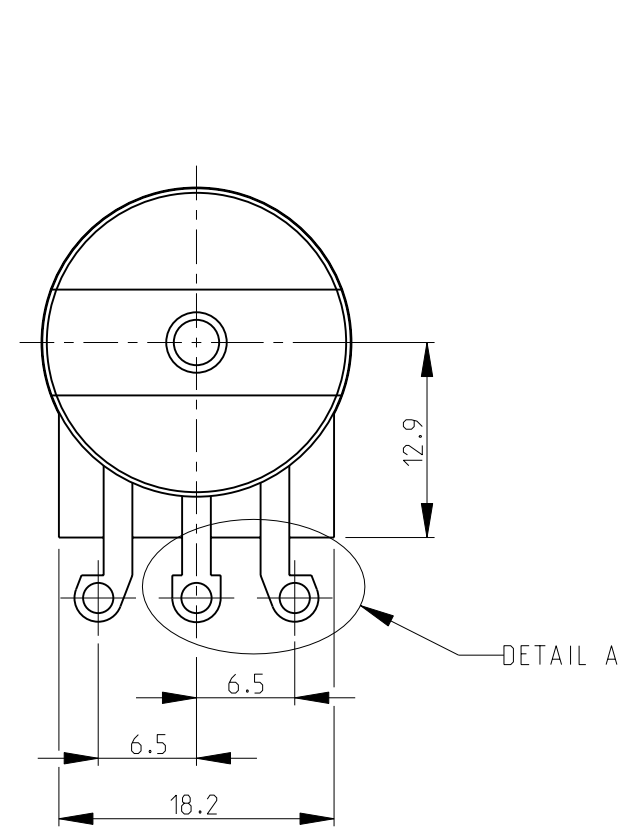
2

1

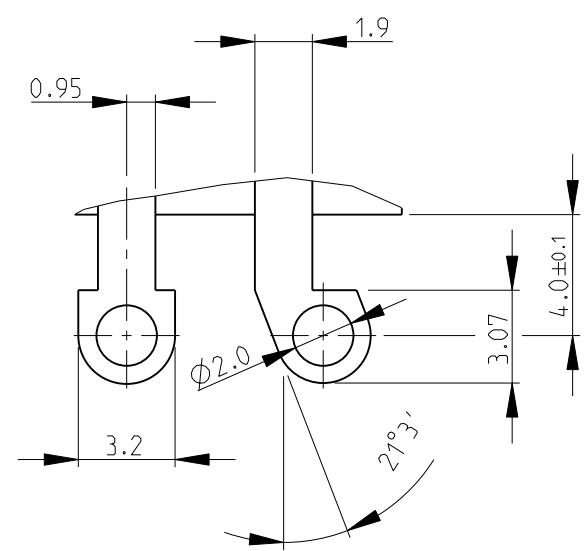
THIS DRAWING IS UNPUBLISHED. RELEASED FOR PUBLICATION 2008  
 © COPYRIGHT 2008 BY TYCO ELECTRONICS CORPORATION. ALL RIGHTS RESERVED.

LOC		DIST		REVISIONS			
P	LTR	DESCRIPTION		DATE	DWN	APVD	
	BA	NEW RELEASE		19-NOV-08	SM	St.P	

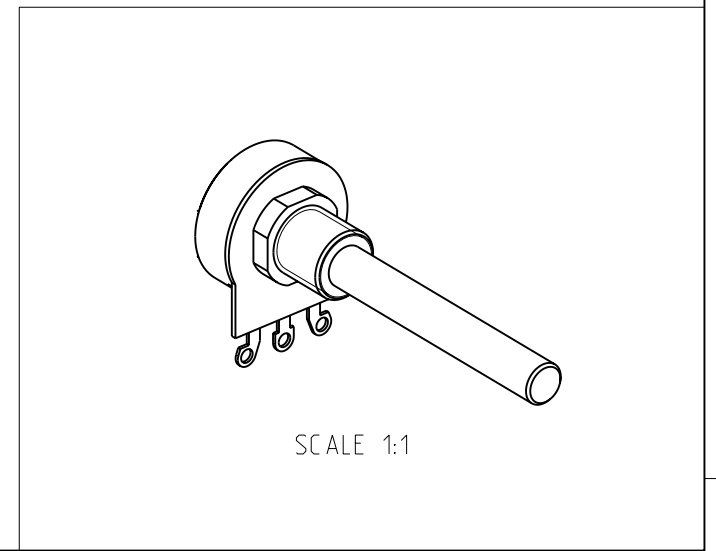
FOR FURTHER INFORMATION SEE DATA SHEET FOR  
 23 SERIES-SPINDLE OPERATED POTENTIOMETER



DETAIL A  
 SCALE 4:1



RoHS Compliant



<small>THIS DRAWING IS A CONTROLLED DOCUMENT FOR TYCO ELECTRONICS CORPORATION          IT IS SUBJECT TO CHANGE AND THE CONTROLLING ENGINEERING ORGANIZATION          SHOULD BE CONTACTED FOR THE LATEST REVISION.</small>		DWN SUBHASH.M 19-NOV-08 CHK PRAKASH.S 19-NOV-08 APVD STEPHEN.P 19-NOV-08		<b>Tyco Electronics</b> Tyco Electronics Corporation Dorcan, Swindon, SN3 5HH	
DIMENSIONS: mm		TOLERANCES UNLESS OTHERWISE SPECIFIED: 0 PLC ±0.2 1 PLC ±0.1 2 PLC ±- 3 PLC ±- 4 PLC ±- ANGLES ±5°		NAME SPINDLE OPERATED POTENTIOMETER SERIES 23E	
MATERIAL -		FINISH -		PRODUCT SPEC - APPLICATION SPEC - WEIGHT -	
CUSTOMER DRAWING		SIZE A3 CAGE CODE 00779 DRAWING NO. 1623759		RESTRICTED TO -	
SCALE 2:1		SHEET 1 OF 1		REV BA	